

TOTO LINK
The Smartest Network Device

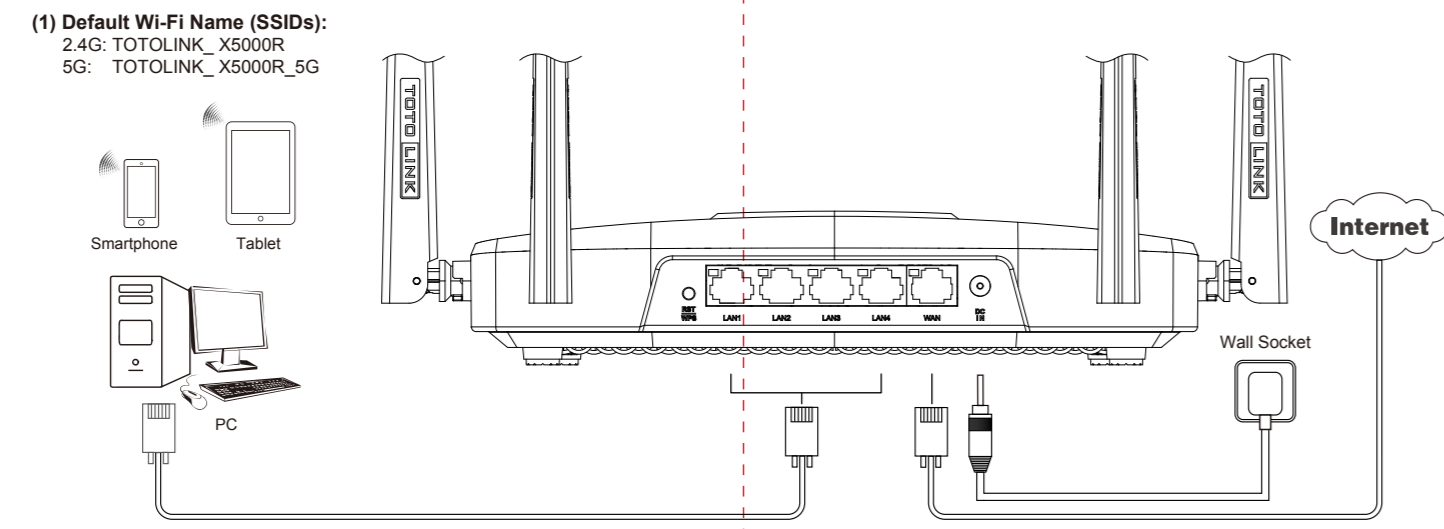
Quick Installation Guide

AX1800 Wireless Dual Band Gigabit Router

Model No.: X5000R

Copyrights © TOTOLINK. All Rights Reserved. Website: <http://www.totolink.net>
Information in this document is subject to change without prior notice.

1 Installation Diagram



(2) LED Indicators:

Indicators	Status	Description
System indicator	On	The router is starting or the WPS function is enabled.
	Off	The router is not connecting to the power.
	Blinking slowly	The router is working normally.
WAN/LAN1-4 indicator	Blinking quickly	The factory default setting is enabled.
	On	The router is starting.
WAN/LAN1-4 indicator	Off	The port is disconnected.
	Blinking quickly	The port is transmitting data.

(3) Ports/Button

Ports/Button	Description
DC Power Port	Connect to the power supply.
WAN Port	Connect to the Internet.
LAN1-LAN4 Ports	Connect to PC or switch using RJ45 cable.
RST/WPS Button	Reset to factory default settings: when the router is powered on, press and hold this button for 5-8 seconds until the system indicator blinks quickly. Activate WPS function: when the router is powered on, press and hold this button for 1-3 seconds, the system indicator will keep solid on for 2 minutes.

2 Configure the Router on Phone

(choose one way from phone or computer to configure)

(1) Activate the WLAN function on your Phone and connect to TOTOLINK_X5000R_5G or TOTOLINK_X5000R. Then run any Web browser and enter <http://totolink.net> in the address bar.(P1)

(P5)

2 Configure the Router on Phone

(choose one way from phone or computer to configure)

- Wireless Setting. Create passwords for 2.4G Wi-Fi and 5G Wi-Fi (Here users could also revise the default Wi-Fi name) and then click **Next**.(P8)
- For security, please create a new login password for your router, then click **Next**.(P9)
- The coming page is the summary information for your setting. Please remember your Wi-Fi name and password, then click **Done**.(P10) Then your router will restart automatically. This time your phone will be disconnected from the router. Please back to the WLAN list of your phone to choose the new Wi-Fi name and input the correct password. Now, you could enjoy the Wi-Fi.(P11)

(P8) (P9) (P10) (P11)

3 Configure the Router on Computer

(choose one way from phone or computer to configure)

- Connect any interface of LAN1-LAN4 using Ethernet cable, then open any web browser and enter <http://totolink.net> in the address bar.
- Enter **admin** for the password, then click **LOGIN**.
- Click **Quick Setup** in the top left corner of the page to complete the network settings.
 - Time Zone Setting. According to your location, please select an appropriate option from the list, then click **Next**.
 - Internet Setting. Choose a suitable connection type from the list and fill in the information required, then click **Next**.(See more information about the connection type in P5.)
 - IPTV Setting, you can open the IPTV function in this page and select a suitable mode, then click **Next**.
 - Wireless Setting. Create passwords for 2.4G Wi-Fi and 5G Wi-Fi (Here users could also revise the default Wi-Fi name) and then click **Next**.
 - For security, please create a new login password for your router, then click **Next**.
 - The coming page is the summary information for your setting. Please remember your Wi-Fi name and password, then click **Done**. Your router will restart automatically. Please connect to the new Wi-Fi. Now, you could enjoy the Wi-Fi.

(P2) (P3) (P4) (P6) (P7)

4 FAQs

- Unable to log in the router's web page on Phone?
Please check if your Phone has connected to the Wi-Fi of the router and make sure you have entered the correct default gateway <http://totolink.net>.
- If I forget the router's login password, how to reset to the factory settings?
Keep the router powered on, then press and hold the RST/WPS button for 5-8 seconds until system indicator becomes blinking quickly. The router will restart automatically, wait for a while, the password would be resumed to admin.
- How to do if I forget the password of the Wi-Fi?
Please connect any LAN port of the router to the computer with RJ45 cable and then open any web browser to login the web management page to check the Wi-Fi password in the **Basic—Wireless—Wireless Settings**. (Please ensure your computer has been set to "obtain an IP address automatically" in advance.)
- How to open the function of Band Steering to use the 2.4G and 5G Wi-Fi by a same SSID?
Keep the router working normally, open any browser on your computer, login the web management page. Click **Basic—Wireless**, turn on **Wireless multi-frequency integration**, then wait for the setting to complete. If Wi-Fi is disconnected, please reconnect.

FCC warning:
This equipment has been tested and found to comply with the limits for a Class B digital device, pursuant to Part 15 of the FCC Rules. These limits are designed to provide reasonable protection against harmful interference in a residential installation. This equipment generates, uses and can radiate radio frequency energy and, if not installed and used in accordance with the instructions, may cause harmful interference to radio communications. However, there is no guarantee that interference will not occur in a particular installation. If this equipment does cause harmful interference to radio or television reception, which can be determined by turning the equipment off and on, the user is encouraged to try to correct the interference by one or more of the following measures:
- Reorient or relocate the receiving antenna.
- Increase the separation between the equipment and receiver.
- Connect the equipment into an outlet on a circuit different from that to which the receiver is connected.

Consult the dealer or an experienced radio/TV technician for help.
Operation is subject to the following two conditions:
(1) This device may not cause harmful interference
(2) This device must accept any interference received, including interference that may cause undesired operation.

RF Radiation Exposure Statement
This equipment complies with FCC radiation exposure limits set forth for an uncontrolled environment.
This transmitter must not be co-located or operating in conjunction with any other antenna or transmitter.
This equipment should be installed and operated with minimum distance 20cm between the radiator & your body.

Manufacturer: ZIONCOM ELECTRONICS (SHENZHEN) LTD.
Address: Room 702, Unit D, 4 Building Shenzhen Software Industry Base, Xueli Road, Nanshan District, Shenzhen, Guangdong, China